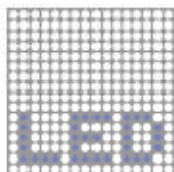
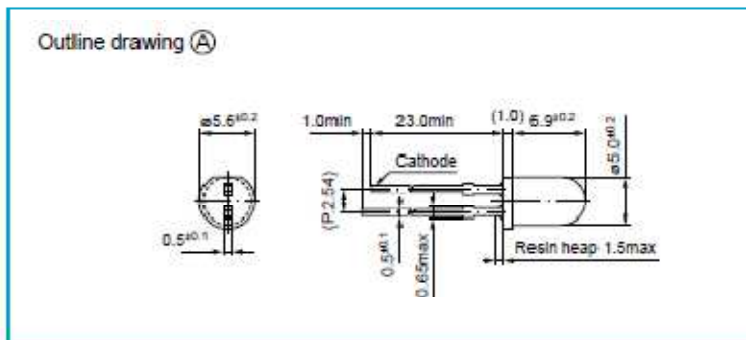


Lampiran 11: Datasheet LED Inframerah

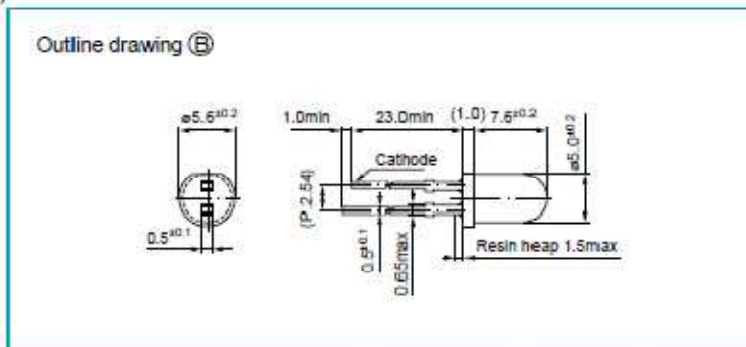


Infrared LEDs

■ SID1010CXM series (Wide viewing angle)

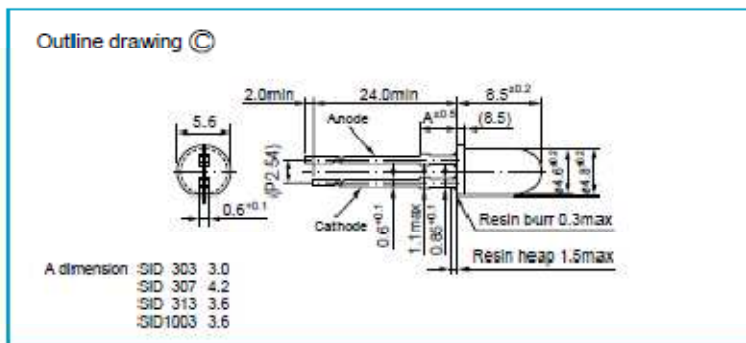


■ SID1010CM series (Narrow viewing angle)



■ External dimensions: Unit: mm Tolerance: ±0.3

■ SID300/1003 series (For remote control)



■ External dimensions: Unit: mm Tolerance: ±0.3